



Daylight Boxer 800W

LAMPHEAD CONTENTS

- Lamp Housing without Bulb #
- 4-leaf Rotatable Barndoor with Safety Wire
- Set of 5 Par Lenses with Lens Case
- Inlet Cable with Multi-Pin Connector
- Stirrup with Ø16mm (5/8 in.) Socket
- Glass Beaker
- Reflector

Requires Electronic Ballast, Lamphead to Ballast Cable and Lamp Bulb

Daylight Boxer 800W

SPECIFICATIONS

Identity No.	L00800BX	
Capacity	800W	
Lamp Bulb Voltage	9.3A / 95V AC	
Par Lens	Ø175mm (6-7/8 in.)	
Lamp Type	HMI 800W SE	
Color Temp.	5600K	
Lamp Holder	G22	
Stirrup	Ø16mm (5/8 in.) Socket	
Class / IP Rating	1 / IP 20	
Max. Surface Temp.	170 °C	[338 °F]
Max. Ambient Temp.	45 °C	[113 °F]
Min. Distance to Illuminated Object	6 m	[20 ft]
Min. Distance to Flammable Object	0.5 m	[2 ft]
Operating Range	+45° ~ 0° ~ -45°	
Weight (Lamphead)	2.5 kg	[6 lbs]

ACCESSORIES

Electronic Ballast V3 : 800W/575W or 800W/575W AC/DC

Lamphead to Ballast Cable : 7m [23 ft.] or 15m [49 ft.]

DC Y-Cable

4-leaf Rotatable Barndoor

Set of 5 Par Lenses Ø175mm [6-7/8 in.] with Lens Case

Spot, Medium Flood, Wide Flood,

Super Wide Flood, Frosted Super Flood

Safety Cable (for lamphead)

Safety Wire (for barndoor)

T-Ring

Softbox

Lantern

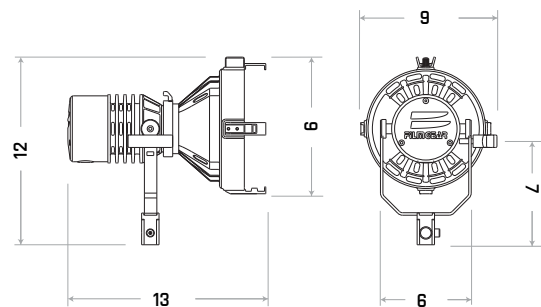
Barrel Adapter

Barrel Reflector

PHOTOMETRIC DATA

		6m (20ft)	9m (30ft)	12m (40ft)	
800W	Spot [8°]	Lux Beam Ø	58748 0.84m [3ft]	26110 1.26m [5ft]	14687 1.68m [6ft]
	Medium Flood [10° x 20°]	Lux Beam Ø	8838 1.05 x 2.12 m [4 x 7 ft]	3928 1.57 x 3.17 m [6 x 11 ft]	2209 2.10 x 4.23 m [7 x 14 ft]
Wide Flood [20° x 45°]	Lux Beam Ø	5081 2.16 x 4.97 m [8 x 17 ft]	2258 3.17 x 7.46 m [11 x 25 ft]	1270 4.23 x 9.94 m [14 x 33 ft]	
	Super Wide Flood [40°]	Lux Beam Ø	1843 4.37m [15ft]	819 6.55m [22ft]	461 8.74m [30 ft]
Frosted Super Flood [37°]	Lux Beam Ø	1089 4.02m [14ft]	484 6.02m [20ft]	272 8.03m [27ft]	

DIMENSIONS (in)

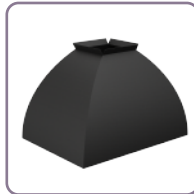


Daylight Boxer with Reflector

■ ACCESSORY CONFIGURATION

Daylight Boxer with Reflector**Reflector****Daylight Boxer with Softbox****T-ring**

+

**Softbox****Daylight Boxer with Lantern****T-ring**

+

**Lantern****Daylight Boxer with Barrel****Barrel
Adapter**

+

**Barrel Reflector**