

# Daylight Faceted PAR F12k



### LAMPHEAD CONTENTS

- Lamp Housing without Bulb(purple grey & silver color)
- 4-leaf Rotatable Barndoor with Safety Wire
- Ø500mm (20in) UV Protective Lens
- Inlet Cable with Multi-Pin Connector
- Stirrup with Ø28mm(1-1/8 in.) Spigot

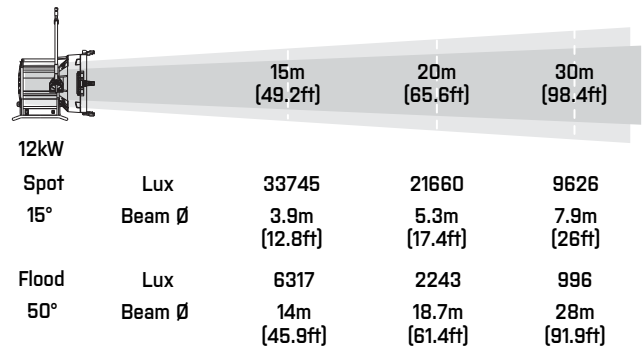
# Requires Electronic Ballast, Lamphead to Ballast Cable and Lamp Bulb

## Daylight Faceted PAR F12k

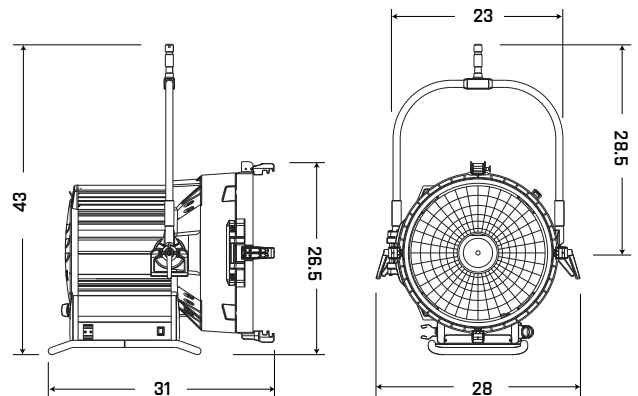
### SPECIFICATIONS

Identity No.	L12000FP
Capacity	12,000W
Lamp Bulb Voltage	160V
UV Protective Lens	Ø500mm (20in)
Lamp Type	HMI 12000W/SE
Color Temp.	5600K
Lamp Holder	GX38
Stirrup	Ø28mm(1-1/8 in.) Spigot
Class / IP Rating	1 / IP 23
Max. Surface Temp.	220 °C (428°F)
Max. Ambient Temp.	45 °C (113°F)
Min. Distance to Illuminated Object	15m (49ft)
Min. Distance to Flammable Object	2m (6.5ft)
Operating Range	+45° ~ 0° ~ -45°
Weight (Lamphead)	38.0 kg (84lbs)
Weight (with barndoor)	43.0 kg (95lbs)

### PHOTOMETRIC DATA



### DIMENSIONS (in)



### ACCESSORIES

- Electronic Ballast V3 : 18kW/12kW, 12kW/6kW
- Lamphead to Ballast Cable : 10m (33 ft.) or 15m (49 ft.)
- 4-leaf Rotatable Barndoor
- Set of 4 Scrims Ø568mm(22-3/8 in.) :
- Full Single, Full Double, Half Single, Half Double
- Scrim Bag
- Safety Cable(for lamphead)
- Safety Wire(for barndoor)
- Spill Ring