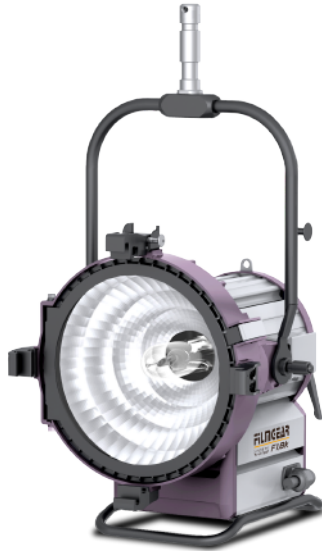


Daylight Faceted PAR F1,8k



LAMPHEAD CONTENTS

- Lamp Housing without Bulb (purple grey & silver color)
- 4-leaf Rotatable Barndoor with Safety Wire
- Ø265mm (10.44in) UV Protective Lens
- Inlet Cable with Multi-Pin Connector
- Stirrup with Ø28mm(1-1/8 in.) Spigot

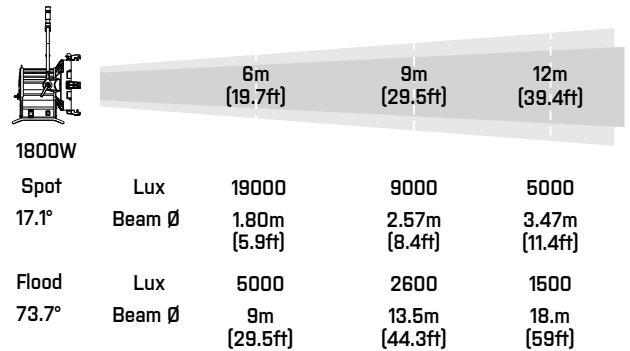
Requires Electronic Ballast, Lamphead to Ballast Cable and Lamp Bulb

Daylight Faceted PAR F1,8k

SPECIFICATIONS

Identity No.	L01800FP	
Capacity	1,800W	
Lamp Bulb Voltage	140V	
UV Protective Lens	Ø265 mm (10.44in)	
Lamp Type	HM11800W/SE	
Color Temp.	5600K	
Lamp Holder	G38	
Stirrup	Ø28mm(1-1/8 in.) Spigot	
Class / IP Rating	1 / IP 23	
Max. Surface Temp.	160 °C	[320°F]
Max. Ambient Temp.	45 °C	[113°F]
Min. Distance to Illuminated Object	4.5 m	[15ft]
Min. Distance to Flammable Object	1 m	[3ft]
Operating Range	+45° ~ 0° ~ -45°	
Weight (Lamphead)	12.0 kg	[26.46lbs]
Weight (with barndoor)	14.0 kg	[31lbs]

PHOTOMETRIC DATA



ACCESSORIES

- Electronic Ballast V3 : 1.8kW/1.2kW/575W
- Lamphead to Ballast Cable : 7m (23 ft.) or 15m (49 ft.)
- 4-leaf Rotatable Barndoor
- Set of 4 Scrims : Ø330mm (13 in.)
- Full Single, Full Double, Half Single, Half Double
- Scrim Bag
- Safety Cable (for lamphead)
- Safety Wire (for barndoor)
- Spill Ring

DIMENSIONS (in)

