

# Daylight Faceted PAR F6k

**FACETED**



■ LAMPHEAD CONTENTS

- Lamp Housing without Bulb (purple grey & silver color)
- 4-leaf Rotatable Barndoor with Safety Wire
- Ø420mm (16.5in) UV Protective Lens
- Inlet Cable with Multi-Pin Connector
- Stirrup with Ø28mm(1-1/8 in.) Spigot

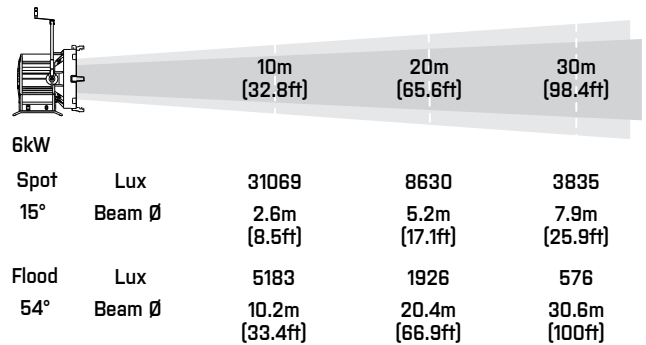
# Requires Electronic Ballast, Lamphead to Ballast Cable and Lamp Bulb

## Daylight Faceted PAR F6k

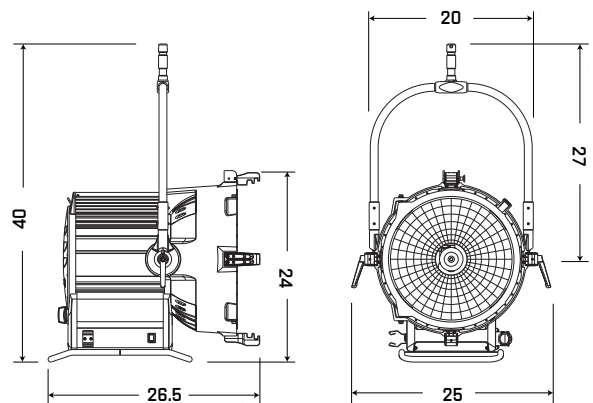
■ SPECIFICATIONS

Identity No.	L06000FP	
Capacity	6,000W	
Lamp Bulb Voltage	125V	
UV Protective Lens	Ø420mm (17in)	
Lamp Type	HMI 6000W/SE	
Color Temp.	5600K	
Lamp Holder	GX38	
Stirrup	Ø28mm(1-1/8 in.) Spigot	
Class / IP Rating	1 / IP 23	
Max. Surface Temp.	190 °C	[374°F]
Max. Ambient Temp.	45 °C	[113°F]
Min. Distance to Illuminated Object	12 m	[39ft]
Min. Distance to Flammable Object	1.5 m	[5ft]
Operating Range	+45° ~ 0° ~ -45°	
Weight (Lamphead)	32.0 kg	[70.5lbs]
Weight (with barndoor)	36.0 kg	[80lbs]

■ PHOTOMETRIC DATA



■ DIMENSIONS (in)



■ ACCESSORIES

- Electronic Ballast V3 : 9kW/6kW, 6000W
- Lamphead to Ballast Cable : 10m (33 ft.) or 15m (49 ft.)
- 4-leaf Rotatable Barndoor
- Set of 4 Scrims: Ø495mm (19-1/2 in.)
- Full Single, Full Double, Half Single, Half Double
- Scrim Bag
- Safety Cable (for lamphead)
- Safety Wire (for barndoor)
- Spill Ring