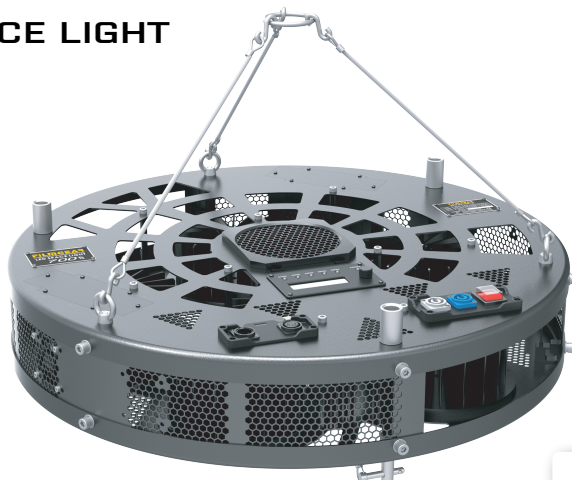


Helios 700_B

LED CCT SPACE LIGHT

LAMPHEAD CONTENTS

- Lamp Housing
- Hanging Wire
- Black Skirt
- Silk Skirt
- Target Assembly
- AC Cable



Black Skirt



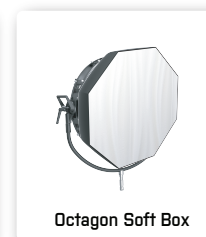
Silk Skirt



Stirrup



Octagon Eggcrate



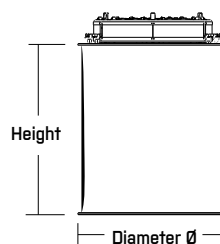
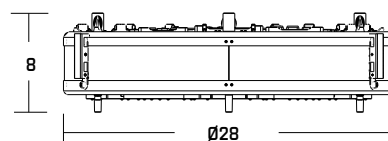
Octagon Soft Box

HELIOS 700B

SPECIFICATIONS

Identity No.	L0070SLB(220V)
	L0071SLB (110V)
Max. Capacity	720W
Voltage	190V - 260V AC or 95V - 135V AC
Current	3.3A@ 220V AC 6.5A@ 110V AC
Color Temp. Range	2700K - 6000K
CRI	Average >95
TLCI	Average >95
Dimming Range	0-100%
Control Signal	DMX 512
DMX Channel	3
LED Life Time	30,000 Hrs(Estimated)
Max. Surface Temp.	60 °C (140 °F)
Max. Ambient Temp.	45 °C (113 °F)
Weight (Lamphead)	17 kg (37 lbs)

DIMENSIONS (in)



Black Skirt :
Ø39 x H 44

Silk Skirt :
Ø33 x H 37

Target Assembly :
Ø36

ACCESSORIES

Stirrup with Ø28mm(1-1/8 in.)Spigot(for Yoke Mount)

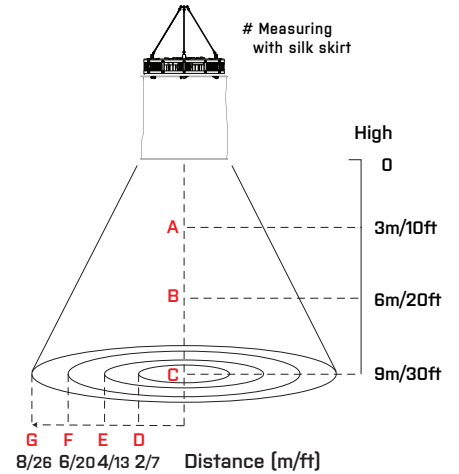
Octagon Soft Box(for Yoke Mount)

Octagon Eggcrate(for Yoke Mount)

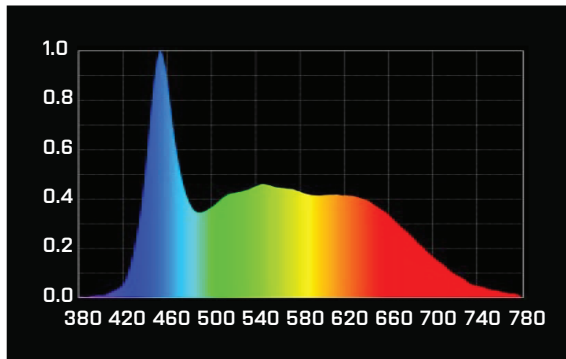
Diffusion Cloth (for Yoke Mount)

■ PHOTOMETRIC DATA

Position	Color Temp.	5600K	3200K
Center 3m/9.8ft High <A>		2295Lux	2304Lux
Center 6m/20ft High 		573 Lux	576 Lux
Center 9m/30ft High <C>		255 Lux	256 Lux
Distance 2m/7ft <D>		160 Lux	165 Lux
Distance 4m/13ft <E>		99 Lux	98 Lux
Distance 6m/20ft <F>		60 Lux	58 Lux
Distance 8m/26ft <G>		35 Lux	33 Lux

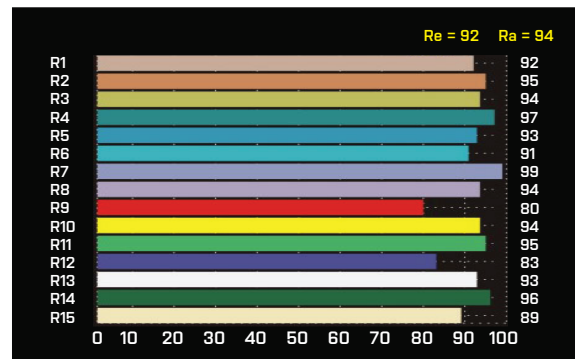


■ SPECTRUM

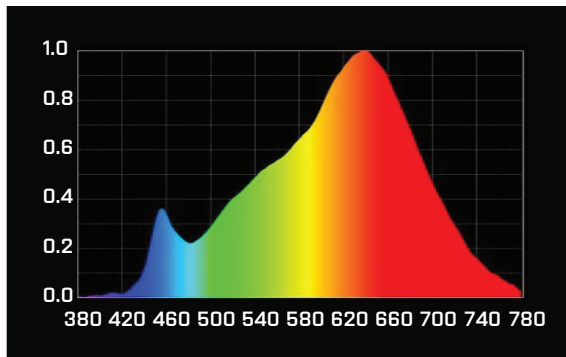


5600K

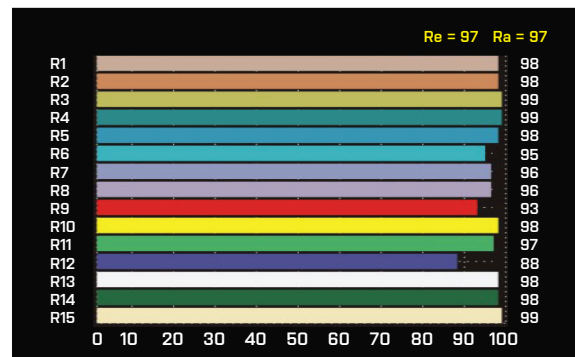
■ HISTOGRAM



5600K



3200K



3200K