



Tungsten Fresnel 12kW/10kW Studio

■ SPECIFICATIONS

Identity No.	L12010TF	
Capacity	12,000W / 10,000W	
Voltage	200 - 240V AC	
Fresnel Lens	Ø450mm(17-3/4 in.)	
Lamp Type	12kW/10kW SE	
Color Temp.	3200K	
Lamp Holder	G38	
Stirrup	Ø28mm(1-1/8 in.) Spigot	
Class / IP Rating	1 / IP 23	
Max. Surface Temp.	220 °C	[428 °F]
Max. Ambient Temp.	45 °C	[113 °F]
Min. Distance to Illuminated Object	8 m	[26.2 ft]
Min. Distance to Flammable Object	2 m	[6.6 ft]
Operating Range	+30° ~ 0° ~ -30°	
Weight (lamphead)	34.0 kg	[75 lbs]
Weight (with barndoor)	38.9 kg	[85.8 lbs]

Tungsten Fresnel 12kW/10kW Studio

■ LAMPHEAD CONTENTS

- Lamp Housing without Bulb(purple grey & silver color)
- 4-leaf Rotatable Barndoor with Safety Wire
- Ø450mm(17-3/4 in.) Fresnel Lens
- Panel Switch
- Inlet Cable 4m (13 ft.)
- Stirrup with Ø28mm(1-1/8 in.) Spigot

Requires Lamp Bulb

■ ACCESSORIES

4-leaf Rotatable Barndoor

Set of 4 Scrimms Ø533mm(21 in.):

Full Single, Full Double, Half Single, Half Double

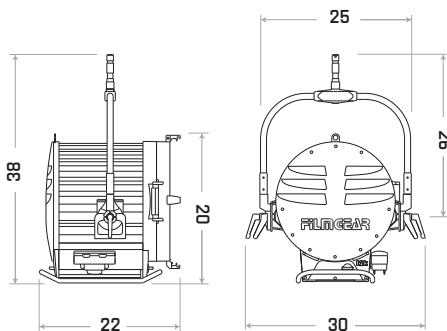
Scrim Bag

Spill Ring

Safety Cable(for lamphead)

Safety Wire(for barndoor)

■ DIMENSIONS (in)



■ PHOTOMETRIC DATA

	10m (33ft)	15m (49ft)	20m (66ft)
12000W Studio			
Spot [12°]			
Lux	16160	7182	4040
Beam Ø	2.10m (6.9ft)	3.15m (10.3ft)	4.20m (13.8ft)
Flood [62°]			
Lux	2409	1071	602
Beam Ø	12.02m (39.4)	18.03m (59.2ft)	24.03m (78.8ft)

	10m (33ft)	15m (49ft)	20m (66ft)
10000W Studio			
Spot [13°]			
Lux	13377	5947	3344
Beam Ø	2.28m (7.5ft)	3.42m (11.2ft)	4.56m (15ft)
Flood [60°]			
Lux	2016	896	504
Beam Ø	11.55m (38ft)	17.32m (56.8ft)	23.09m (76ft)