



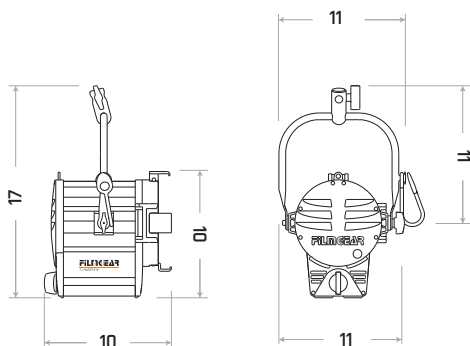
Tungsten Fresnel 1000W Junior

LAMPHEAD CONTENTS

- Lamp Housing without Bulb (purple grey & silver color)
- 4-leaf Rotatable Barndoor with Safety Wire
- Ø130mm (5-1/8 in.) Fresnel Lens
- In-Line Switch
- Inlet Cable 4m (13 ft.)
- Stirrup with Ø16mm (5/8 in.) Socket

Requires Lamp Bulb

DIMENSIONS (in)



Tungsten Fresnel 1000W Junior

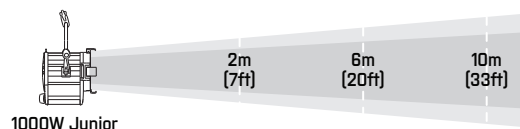
SPECIFICATIONS

Identity No.	L01000TJ	
Capacity	1,000W	
Voltage	100 - 250V AC	
Fresnel Lens	Ø130mm (5-1/8 in.)	
Lamp Type	1000W SE	
Color Temp.	3200K	
Lamp Holder	G22	
Stirrup	Ø16mm (5/8 in.) Socket	
Class / IP Rating	1 / IP 23	
Max. Surface Temp.	220 °C	(428 °F)
Max. Ambient Temp.	45 °C	(113 °F)
Min. Distance to Illuminated Object	1.5 m	(5.9 ft)
Min. Distance to Flammable Object	0.5 m	(1.6 ft)
Operating Range	+45° ~ 0° ~ -45°	
Weight (lamphead)	4.3 kg	(9.4 lbs)
Weight (with barndoor)	4.9 kg	(10.8 lbs)

ACCESSORIES

- 4-leaf Rotatable Barndoor
- Filter Frame
- Set of 4 Scrims Ø197mm (7-3/4 in.) :
Full Single, Full Double, Half Single, Half Double
- Scrim Bag
- Variable Snoot
- Spill Ring
- Safety Cable (for lamphead)
- Safety Wire (for barndoor)

PHOTOMETRIC DATA



	2m (7ft)	6m (20ft)	10m (33ft)
Spot (10°)			
Lux	30805	3423	1232
Beam Ø	0.35m (1.2ft)	1.05m (3.4ft)	1.75m (5.7ft)
Flood (57°)			
Lux	4621	513	185
Beam Ø	2.17m (7.1ft)	6.52m (21.4ft)	10.86m (35.6ft)