



## Tungsten Fresnel 1000W Studio

### ■ SPECIFICATIONS

Identity No.	L01000TF	
Capacity	1,000W	
Voltage	100 - 250V AC	
Fresnel Lens	Ø175mm (6-7/8 in.)	
Lamp Type	1000W SE	
Color Temp.	3200K	
Lamp Holder	G22	
Stirrup	Ø28mm(1-1/8 in.)Spigot	
Class / IP Rating	1 / IP 23	
Max. Surface Temp.	190 °C	(374 °F)
Max. Ambient Temp.	45 °C	(113 °F)
Min. Distance to Illuminated Object	1.5 m	(4.9 ft)
Min. Distance to Flammable Object	0.5 m	(1.6 ft)
Operating Range	+45° ~ 0° ~ -45°	
Weight (lamphead)	6.5 kg	(14.3 lbs)
Weight (with barndoor)	7.5 kg	(16.5 lbs)

## Tungsten Fresnel 1000W Studio

### ■ LAMPHEAD CONTENTS

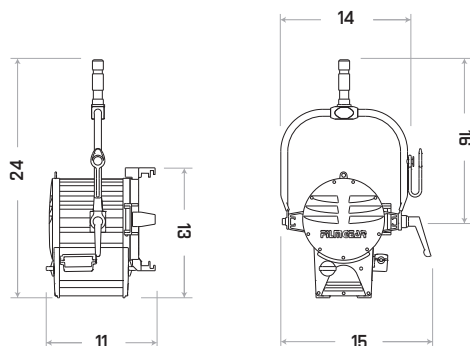
- Lamp Housing without Bulb(purple grey & silver color)
- 4-leaf Rotatable Barndoor with Safety Wire
- Ø175mm (6-7/8 in.) Fresnel Lens
- Panel Switch
- Inlet Cable 4m (13 ft.)
- Stirrup with Ø28mm(1-1/8 in.)Spigot

# Requires Lamp Bulb

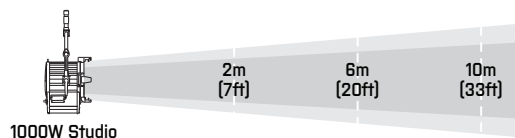
### ■ ACCESSORIES

- 4-leaf Rotatable Barndoor
- Filter Frame
- Set of 4 Scrims Ø229mm(9 in.):  
Full Single, Full Double, Half Single, Half Double
- Scrim Bag
- Variable Snoot
- Spill Ring
- Safety Cable(for lamphead)
- Safety Wire (for barndoor)

### ■ DIMENSIONS (in)



### ■ PHOTOMETRIC DATA



	2m (7ft)	6m (20ft)	10m (33ft)
<b>1000W Studio</b>			
<b>Spot [8°]</b>			
Lux	38708	4301	1548
Beam Ø	0.28m (0.9ft)	0.84m (2.8ft)	1.40m (4.6ft)
<b>Flood [55°]</b>			
Lux	4644	516	186
Beam Ø	2.08m (6.8ft)	6.24m (20.5ft)	10.41m (34.2ft)