



Tungsten Fresnel 2000W Junior

■ SPECIFICATIONS

Identity No.	L02000TJ	
Capacity	2,000W	
Voltage	100 - 250V AC	
Fresnel Lens	Ø175mm (6-7/8 in.)	
Lamp Type	2000W SE	
Color Temp.	3200K	
Lamp Holder	G38	
Stirrup	Ø28mm (1-1/8 in.) Spigot	
Class / IP Rating	1 / IP 20	
Max. Surface Temp.	220 °C	(428 °F)
Max. Ambient Temp.	45 °C	(113 °F)
Min. Distance to Illuminated Object	2 m	(6.6 ft)
Min. Distance to Flammable Object	1 m	(3.3 ft)
Operating Range	+45° ~ 0° ~ -45°	
Weight (lamphead)	8.8 kg	(19.4 lbs)
Weight (with barndoor)	9.8 kg	(21.6 lbs)

Tungsten Fresnel 2000W Junior

■ LAMPHEAD CONTENTS

- Lamp Housing without Bulb (purple grey & silver color)
- 4-leaf Rotatable Barndoor with Safety Wire
- Ø175mm (6-7/8 in.) Fresnel Lens
- Panel Switch
- Inlet Cable 4m (13 ft.)
- Stirrup with Ø28mm (1-1/8 in.) Spigot

Requires Lamp Bulb

■ ACCESSORIES

4-leaf Rotatable Barndoor

Filter Frame

Set of 4 Scrims Ø229mm (9 in.):

Full Single, Full Double, Half Single, Half Double

Scrim Bag

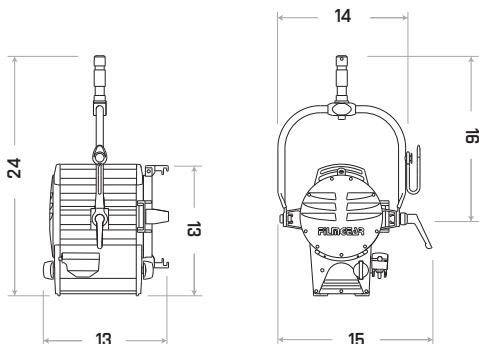
Variable Snoot

Spill Ring

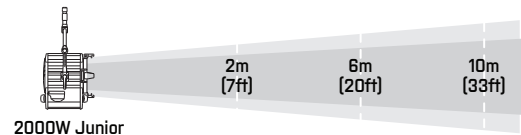
Safety Cable (for lamphead)

Safety Wire (for barndoor)

■ DIMENSIONS (in)



■ PHOTOMETRIC DATA



2000W Junior

Spot (10°)			
Lux	54414	6046	2177
Beam Ø	0.35m (1.2ft)	1.05m (3.4ft)	1.75m (5.7ft)
Flood (56°)			
Lux	8156	906	326
Beam Ø	2.17m (7.1ft)	6.38m (20.9ft)	10.63m (34.9ft)