



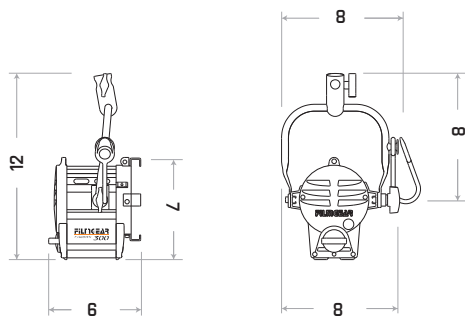
Tungsten Fresnel 300W Junior

LAMPHEAD CONTENTS

- Lamp Housing without Bulb (purple grey & silver color)
- 4-leaf Rotatable Barndoor with Safety Wire
- Ø80mm (3 in.) Fresnel Lens
- In-Line Switch
- Inlet Cable 4m (13 ft.)
- Stirrup with Ø16mm (5/8 in.) Socket

Requires Lamp Bulb

DIMENSIONS (in)



Tungsten Fresnel 300W Junior

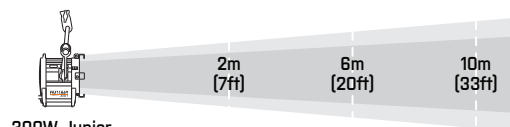
SPECIFICATIONS

| | | |
|-------------------------------------|------------------------|-----------|
| Identity No. | L00300TJ | |
| Capacity | 300W | |
| Voltage | 100 - 250V AC | |
| Fresnel Lens | Ø80mm (3-1/8 in.) | |
| Lamp Type | 300W SE | |
| Color Temp. | 3200K | |
| Lamp Holder | GY9.5 | |
| Stirrup | Ø16mm (5/8 in.) Socket | |
| Class / IP Rating | 1 / IP 23 | |
| Max. Surface Temp. | 190 °C | (374 °F) |
| Max. Ambient Temp. | 45 °C | (113 °F) |
| Min. Distance to Illuminated Object | 1 m | (3.3 ft) |
| Min. Distance to Flammable Object | 0.5 m | (1.6 ft) |
| Operating Range | +45° ~ 0° ~ -45° | |
| Weight (lamphead) | 1.8 kg | (4 lbs) |
| Weight (with barndoor) | 2.1 kg | (2.1 lbs) |

ACCESSORIES

- 4-leaf Rotatable Barndoor
- Filter Frame
- Set of 4 Scrims Ø127mm (5 in.) :
Full Single, Full Double, Half Single, Half Double
- Scrim Bag
- Variable Snoot
- Safety Cable (for lamphead)
- Safety Wire (for barndoor)

PHOTOMETRIC DATA



| | 2m (7ft) | 6m (20ft) | 10m (33ft) |
|--------------------|---------------|---------------|-----------------|
| 300W Junior | | | |
| Spot (13°) | | | |
| Lux | 4469 | 497 | 179 |
| Beam Ø | 0.46m (1.5ft) | 1.37m (4.5ft) | 2.28m (7.5ft) |
| Flood (54°) | | | |
| Lux | 985 | 109 | 39 |
| Beam Ø | 2.04m (6.7ft) | 6.11m (20ft) | 10.19m (33.4ft) |