



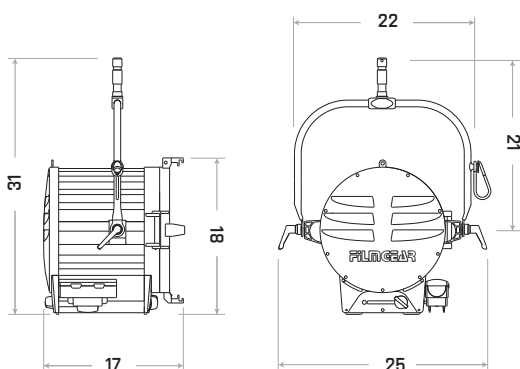
## Tungsten Fresnel 5000W Studio

### LAMPHEAD CONTENTS

- Lamp Housing without Bulb (purple grey & silver color)
- 4-leaf Rotatable Barndoor with Safety Wire
- Ø300mm (11-7/8 in.) Fresnel Lens
- Panel Switch
- Inlet Cable 4m (13 ft.)
- Stirrup with Ø28mm (1-1/8 in.) Spigot

# Requires Lamp Bulb

### DIMENSIONS (in)



## Tungsten Fresnel 5000W Studio

### SPECIFICATIONS

Identity No.	L05000TF (220V)	
	L05000TF1 (110V)	
Capacity	5,000W	
Voltage	200 - 240V AC or 100 - 120V AC	
Fresnel Lens	Ø300mm (11-3/4 in.)	
Lamp Type	5000W SE	
Color Temp.	3200K	
Lamp Holder	G38	
Stirrup	Ø28mm (1-1/8 in.) Spigot	
Class / IP Rating	1 / IP 23	
Max. Surface Temp.	210 °C	[410 °F]
Max. Ambient Temp.	45 °C	[113 °F]
Min. Distance to Illuminated Object	5 m	[16.4 ft]
Min. Distance to Flammable Object	1.5 m	[4.9 ft]
Operating Range	+38° ~ 0° ~ -38°	
Weight (lamphead)	16.3 kg	[35.9 lbs]
Weight (with barndoor)	18.8 kg	[41.4 lbs]

### ACCESSORIES

4-leaf Rotatable Barndoor

Filter Frame

Set of 4 Scrims Ø394mm (15-1/2 in.):

Full Single, Full Double, Half Single, Half Double

Scrim Bag

Variable Snoot

Spill Ring

Safety Cable (for lamphead)

Safety Wire (for barndoor)

### PHOTOMETRIC DATA

