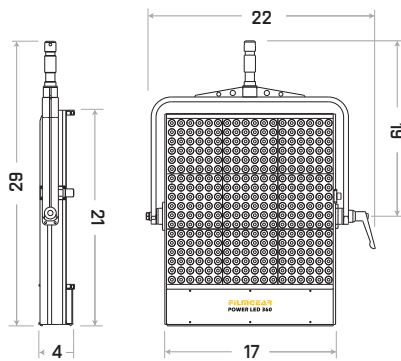


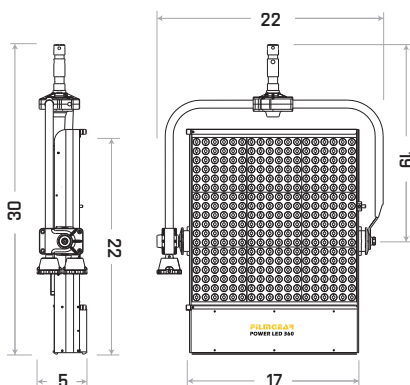


M.O.

DIMENSIONS (in)



M.O.



P.O.

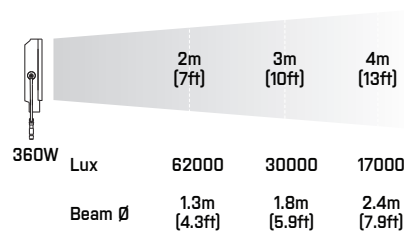
* [M.O.] = Manual Operated
[P.O.] = Pole Operated

Power LED 360W

SPECIFICATIONS

Identity No.	L0036DPL (M.O. / Daylight) LP036DPL (P.O. / Daylight) L0036TPL (M.O. / Tungsten) LP036TPL (P.O. / Tungsten) L0036BPL (M.O. / Bi-Color) LP036BPL (P.O. / Bi-Color)	
Capacity	360W	
Input Voltage	95 - 265V AC	
	22 - 36V DC	
Frequency	50Hz / 60Hz	
Input Current	3.8 - 1.4A @95 - 265V AC	
	12A @30V DC	
Color Temp.	5600K / 3200K / 2700K-6000K	
CRI	>90	
Dimming Range	0 - 100%	
Control Signal	DMX 512	
DMX Channel	1	
LED Life	Approx. 30,000 Hrs	
M.O. / P.O. Stirrup	Ø28mm (1-1/8 in.) Spigot	
Class / IP Rating	1 / IP 20	
Max. Surface Temp.	70 °C	[158 °F]
Max. Ambient Temp.	45 °C	[113 °F]
Operation Range	+90° ~ 0° ~ -90°	
Weight (Lamphead)	[M.O.]: 16.0 kg	[35.3 lbs]
	[P.O.]: 17.4 kg	[38.4 lbs]

PHOTOMETRIC DATA



LAMPHEAD CONTENTS

- Lamp Housing with Power Cable (black color)
- Filter Frame
- Stirrup with Ø28mm (1-1/8 in.) Spigot
- DMX
- AC & DC Input

ACCESSORIES

- 2-leaf Barndoor
- Filter Frame
- Eggcrate
- Soft Box
- DC Cable
- Safety Cable (for lamphead)