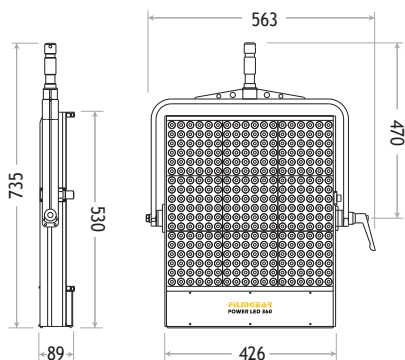


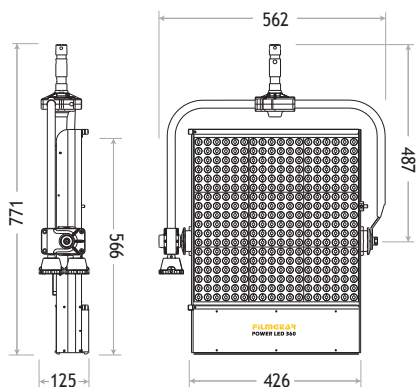


M.O.

**DIMENSIONS (mm)**



M.O.



P.O.

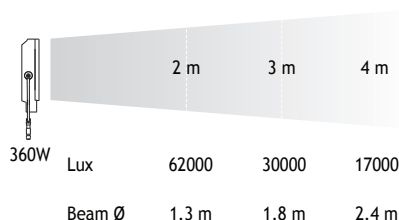
\* (M.O.) = Manual Operated  
(P.O.) = Pole Operated

**Power LED 360W**

**SPECIFICATIONS**

Identity No.	L0036DPL (M.O. / Daylight) LP036DPL (P.O. / Daylight) L0036TPL (M.O. / Tungsten) LP036TPL (P.O. / Tungsten) L0036BPL (M.O. / Bi-Color) LP036BPL (P.O. / Bi-Color)
Capacity	360W
Input Voltage	95 - 265V AC 22 - 36V DC
Frequency	50Hz / 60Hz
Input Current	3.8 - 1.4A @95 - 265V AC 12A @30V DC
Color Temp.	5600K / 3200K / 2700K-6000K
CRI	>90
Dimming Range	0 - 100%
Control Signal	DMX 512
DMX Channel	1
LED Life	Approx. 30,000 Hrs
M.O. / P.O. Stirrup	Ø28mm (1-1/8 in.) Spigot
Class / IP Rating	1 / IP 20
Max. Surface Temp.	70° C
Max. Ambient Temp.	45° C
Operation Range	+90° ~ 0° ~ -90°
Weight (Lamphead)	16.0 kg (M.O.) 17.4 kg (P.O.)

**PHOTOMETRIC DATA**



**LAMPHEAD CONTENTS**

- Lamp Housing with Power Cable (black color)
- Filter Frame
- Stirrup with Ø28mm (1-1/8 in.) Spigot
- DMX
- AC & DC Input

**ACCESSORIES**

- 2-leaf Barndoor
- Filter Frame
- Eggcrate
- Soft Box
- DC Cable
- Safety Cable (for lamphead)