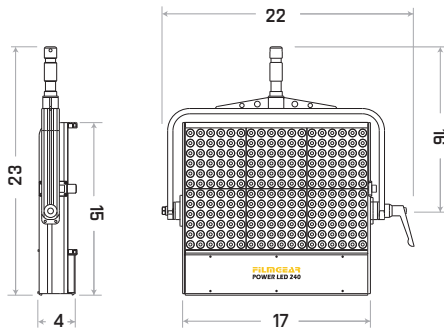


Power LED 240W

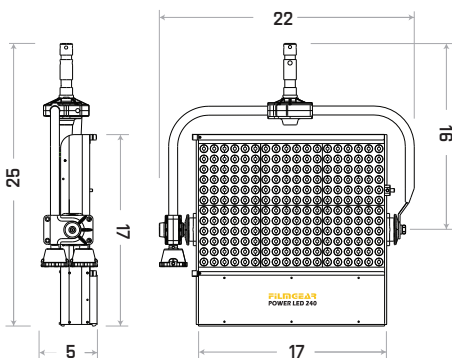


M.O.

DIMENSIONS (in)



M.O.



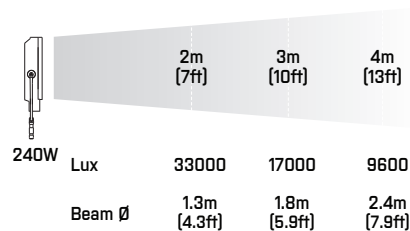
P.O.

* [M.O.] = Manual Operated
[P.O.] = Pole Operated

SPECIFICATIONS

Identity No.	L0024DPL (M.O. / Daylight) LP024DPL (P.O. / Daylight) L0024TPL (M.O. / Tungsten) LP024TPL (P.O. / Tungsten) L0024BPL (M.O. / Bi-Color) LP024BPL (P.O. / Bi-Color)
Capacity	240W
Input Voltage	95 - 265V AC 22 - 36V DC
Frequency	50Hz / 60Hz
Input Current	2.6 - 1.0A @95 - 265V AC 8A @30V DC
Color Temp.	5600K / 3200K / 2700K-6000K
CRI	>90
Dimming Range	0 - 100%
Control Signal	DMX 512
DMX Channel	1
LED Life	Approx. 30,000 Hrs
M.O. / P.O. Spigot	Ø28mm [1-1/8 in.] Spigot
Class / IP Rating	1 / IP 20
Max. Surface Temp.	70 °C [158 °F]
Max. Ambient Temp.	45 °C [113 °F]
Operation Range	+90° ~ 0° ~ -90°
Weight (Lamphead)	(M.O.): 12.0 kg [26.5 lbs] (P.O.): 13.4 kg [29.5 lbs]

PHOTOMETRIC DATA



LAMPHEAD CONTENTS

- Lamp Housing with Power Cable (black color)
- Filter Frame
- Stirrup with Ø28mm [1-1/8 in.] Spigot
- DMX
- AC & DC Input

ACCESSORIES

- 2-leaf Barndoor
- Filter Frame
- Eggcrate
- Soft Box
- DC Cable
- Safety Cable (for lamphead)