

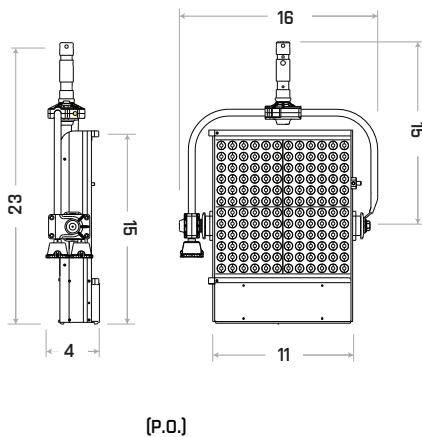
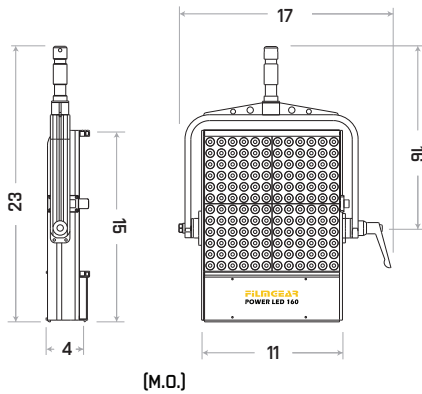


Power LED 160W

SPECIFICATIONS

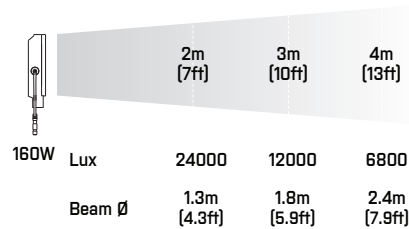
Identity No.	L0016DPL (M.O. / Daylight) LP016DPL (P.O. / Daylight) L0016TPL (M.O. / Tungsten) LP016TPL (P.O. / Tungsten)	
Capacity	160W	
Input Voltage	95 - 265V AC	
	22 - 36V DC	
Frequency	50Hz / 60Hz	
Input Current	1.7 - 0.6A @95 - 265V AC	
	5.5A @30V DC	
Color Temp.	5600K / 3200K	
CRI	>90	
Dimming Range	0 - 100%	
Control Signal	DMX 512	
DMX Channel	1	
LED Life	Approx. 30,000 Hrs	
M.O. / P.O. Stirrup	Ø28mm (1-1/8 in.) Spigot	
Class / IP Rating	1 / IP 20	
Max. Surface Temp.	70 °C	[158 °F]
Max. Ambient Temp.	45 °C	[113 °F]
Operation Range	+90° ~ 0° ~ -90°	
Weight (Lamphead)	(M.O.): 7.5 kg	[16.5 lbs]
	(P.O.): 8.9 kg	[19.6 lbs]

DIMENSIONS (in)



* (M.O.) = Manual Operated
(P.O.) = Pole Operated

PHOTOMETRIC DATA



LAMPHEAD CONTENTS

- Lamp Housing with Power Cable (black color)
- Filter Frame
- Stirrup with Ø28mm (1-1/8 in.) Spigot
- DMX
- AC & DC Input

ACCESSORIES

- 2-leaf Barndoor
- Filter Frame
- Eggcrate
- Soft Box
- DC Cable
- Safety Cable (for lamphead)