

M.O

P.O

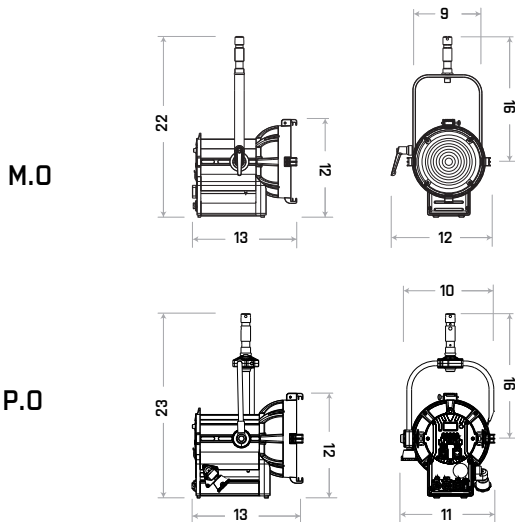
Apollo 150_B

LED CCT SPOT

LAMPHEAD CONTENTS

- Lamp Housing (black color)
- 4-leaf Rotatable Barndoor with Safety Wire
- M.O. / P.O. Stirrup with Ø28mm (1-1/8 in.) Spigot
- AC Cable

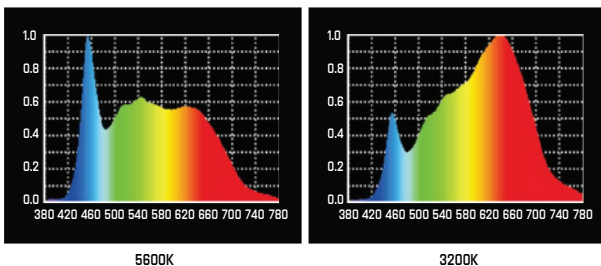
DIMENSIONS (in)



M.O

P.O

SPECTRUM



5600K

3200K

APOLLO 150B (Bi-Color)

SPECIFICATIONS

Identity No.	L0015LFB(M.O.)	
	LP015LFB(P.O.)	
Max. Capacity	150W	
Voltage	95 - 260V AC, 22-36V DC	
Frequency	50Hz / 60Hz	
Current	0.7A @220V AC	
	6.2A @24V DC	
Fresnel Lens	Ø175mm [9 in]	
Color Temp. Range	2700K - 6000K	
CRI	Average >95	
TLCI	Average >95	
Dimming Range	0-100%	
Control Signal	DMX 512	
DMX Channel	3 or 5	
LED Lifetime	30,000 Hrs (Estimated)	
M.O. / P.O. Stirrup	with Ø28mm (1-1/8 in.) Spigot	
Class / IP Rating	1 / IP 23	
Max. Surface Temp.	60 °C [140 °F]	
Max. Ambient Temp.	45 °C [113 °F]	
Operating Range	+45° ~ 0° ~ -45°	
Weight (Lamphead)	[M.O.]: 5 kg [11 lbs]	
	[P.O.]: 6 kg [13 lbs]	

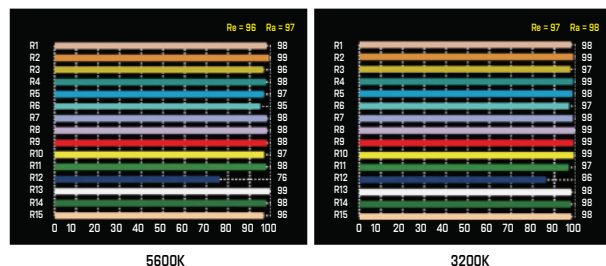
ACCESSORIES

- Filter Frame
- Safety Cable (for lamphead)

PHOTOMETRIC DATA

		APOLLO 150B			
		3m (10ft)	5m (16ft)	7m (23ft)	9m (30ft)
5600K					
Spot 15°	Lux Beam Ø	11433 0.79m (2.6ft)	4116 1.32m (4.3ft)	2100 1.84m (6ft)	1270 2.37m (7.8)
Flood 55°	Lux Beam Ø	2333 3.12m (10.2ft)	840 5.21m (17ft)	429 7.29m (24ft)	259 9.37m (30.7)
3200K					
Spot 15°	Lux Beam Ø	8653 0.79m (2.6ft)	3115 1.32m (4.3ft)	1589 1.84m (6ft)	961 2.37m (7.8)
Flood 55°	Lux Beam Ø	1913 3.12m (10.2ft)	689 5.21m (17ft)	351 7.29m (24ft)	213 9.37m (30.7)

HISTOGRAM



5600K

3200K