



Apollo 500_T Apollo 500_D

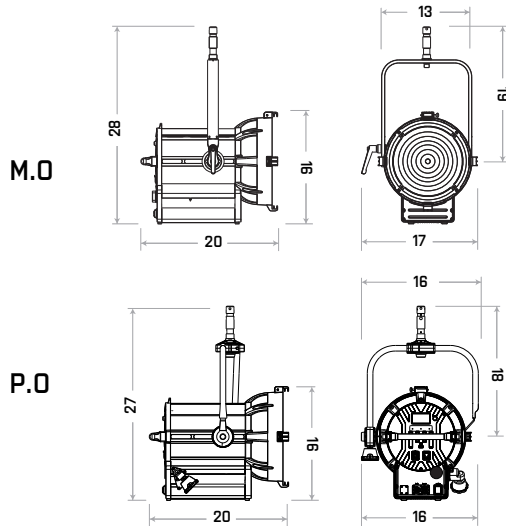
Apollo 500

LED SPOT (Daylight/Tungsten)

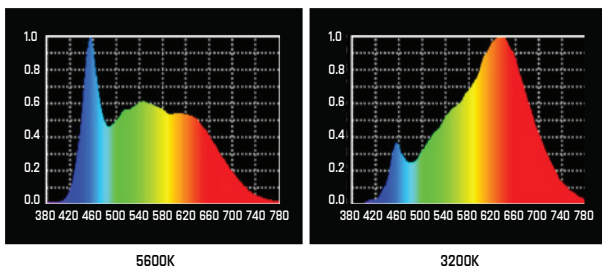
■ LAMPHEAD CONTENTS

- Lamp Housing
- 4-leaf Rotatable Barndoor with Safety Wire
- M.O. / P.O. Stirrup with Ø28mm(1-1/8 in.) Spigot
- AC Cable

■ DIMENSIONS (in)



■ SPECTRUM



5600K

3200K

APOLLO 500D (Daylight) APOLLO 500T (Tungsten)

■ SPECIFICATIONS

Identity No.	LO050LFD (Daylight / M.O.)	
	LP050LFD (Daylight / P.O.)	
	LO050LFT (Tungsten / M.O.)	
	LP050LFT (Tungsten / P.O.)	
Max. Capacity	500W	
Voltage	95 - 260V AC	
Frequency	50Hz / 60Hz	
Current	2.3A @220V AC	
Fresnel Lens	Ø250mm	(10 in)
Color Temp.	5600K or 3200K	
CRI	Average >95	
TLCI	Average >95	
Dimming Range	0-100%	
Control Signal	DMX 512	
DMX Channel	2 or 3	
LED Lifetime	30,000 Hrs (Estimated)	
M.O. / P.O. Stirrup	with Ø28mm (1-1/8 in.) Spigot	
Class / IP Rating	1 / IP 23	
Max. Surface Temp.	60 °C	(140 °F)
Max. Ambient Temp.	45 °C	(113 °F)
Operating Range	+45° ~ 0° ~ -45°	
Weight (Lamphead)	[M.O.]: 15 kg	[33 lbs]
	[P.O.]: 16 kg	[35 lbs]

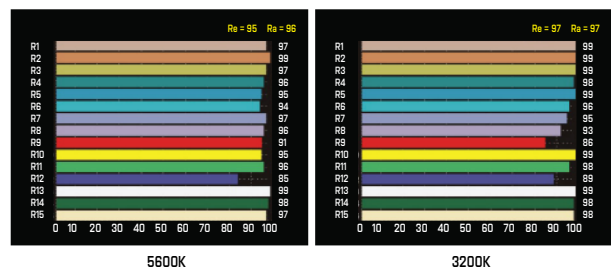
■ ACCESSORIES

- Filter Frame
- Safety Cable (for lamphead)

■ PHOTOMETRIC DATA

		APOLLO 500			
		3m (10ft)	5m (16ft)	7m (23ft)	9m (30ft)
	5600K				
	Spot Lux	27747	9989	5096	3083
	15° Beam Ø	0.79m (2.6ft)	1.32m (4.3ft)	1.84m (6ft)	2.37m (7.8)
	Flood Lux	7487	2695	1375	832
	55° Beam Ø	3.12m (10.2ft)	5.21m (17ft)	7.29m (24ft)	9.37m (30.7)
	3200K				
	Spot Lux	22903	8245	4207	2545
	15° Beam Ø	0.79m (2.6ft)	1.32m (4.3ft)	1.84m (6ft)	2.37m (7.8)
	55° Beam Ø	3.12m (10.2ft)	5.21m (17ft)	7.29m (24ft)	9.37m (30.7)

■ HISTOGRAM



5600K

3200K