



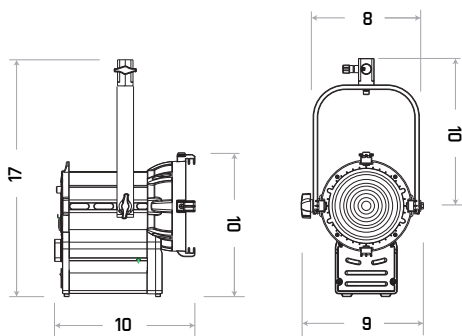
Apollo 90B

LED CCT SPOT

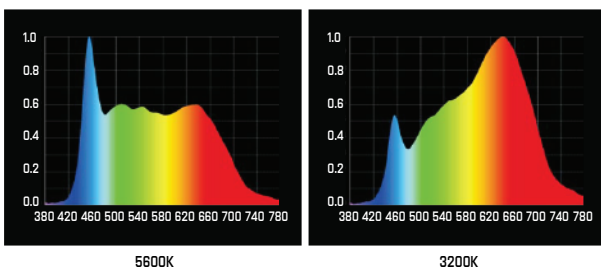
LAMPHEAD CONTENTS

- Lamp Housing (black color)
- 4-leaf Rotatable Barndoor with Safety Wire
- Stirrup with Ø16mm (5/8 in.) Socket
- AC Cable

DIMENSIONS (in)



SPECTRUM



5600K

3200K

APOLLO 90B (Bi-Color)

SPECIFICATIONS

Identity No.	L0009LFB	
Max. Capacity	90W	
Voltage	95 - 260V AC	
Frequency	50Hz / 60Hz	
Current	0.4A @220V AC	
Fresnel Lens	Ø130mm [5 in]	
Color Temp. Range	2700K - 6000K	
CRI	Average >95	
TLCI	Average >95	
Dimming Range	0-100%	
Control Signal	DMX 512	
DMX Channel	3 or 5	
LED Lifetime	30,000 Hrs [Estimated]	
Stirrup	with Ø16mm (5/8 in.) Socket	
Class / IP Rating	1 / IP 23	
Max. Surface Temp.	60 °C	[140 °F]
Max. Ambient Temp.	45 °C	[113 °F]
Operating Range	+45° ~ 0° ~ -45°	
Weight (Lamphead)	3 kg	[7 lbs]

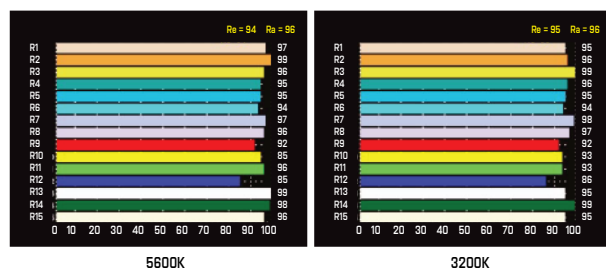
ACCESSORIES

- Filter Frame
- Safety Cable (for lamphead)

PHOTOMETRIC DATA

		APOLLO 90B			
		3m (10ft)	5m (16ft)	7m (23ft)	9m (30ft)
5600K					
Spot 15°	Lux	4728	1702	868	525
	Beam Ø	0.79m (2.6ft)	1.32m (4.3ft)	1.84m (6ft)	2.37m (7.8)
Flood 55°	Lux	1313	473	241	146
	Beam Ø	3.12m (10.2ft)	5.21m (17ft)	7.29m (24ft)	9.37m (30.7)
3200K					
Spot 15°	Lux	3970	1429	729	441
	Beam Ø	0.79m (2.6ft)	1.32m (4.3ft)	1.84m (6ft)	2.37m (7.8)
Flood 55°	Lux	1093	393	201	121
	Beam Ø	3.12m (10.2ft)	5.21m (17ft)	7.29m (24ft)	9.37m (30.7)

HISTOGRAM



5600K

3200K