

Daylight Faceted PAR F18k

FACETED



■ LAMPHEAD CONTENTS

- Lamp Housing without Bulb(purple grey & silver color)
- 4-leaf Rotatable Barndoor with Safety Wire
- Ø645mm [25.39in] UV Protective Lens
- Inlet Cable with Multi-Pin Connector
- Stirrup with Ø28mm(1-1/8 in.) Spigot

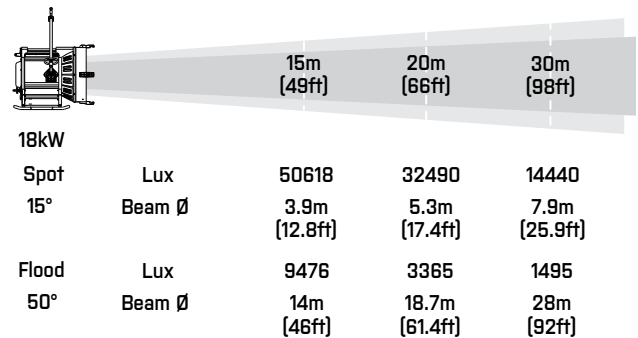
Requires Electronic Ballast, Lamphead to Ballast Cable and Lamp Bulb

Daylight Faceted PAR F18k

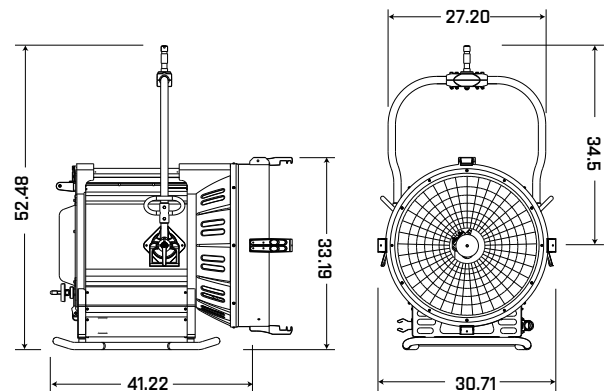
■ SPECIFICATIONS

Identity No.	L18000FP
Capacity	18,000W
Lamp Bulb Voltage	225V
UV Protective Lens	Ø645mm [25.39 in]
Lamp Type	HMI 18000W/SE
Color Temp.	5600K
Lamp Holder	GX51
Stirrup	Ø28mm(1-1/8 in.) Spigot
Class / IP Rating	1 / IP 23
Max. Surface Temp.	260°C [500°F]
Max. Ambient Temp.	45°C [113°F]
Min. Distance to Illuminated Object	15m [49.21 ft]
Min. Distance to Flammable Object	2m [6.56 ft]
Operating Range	+45° ~ 0° ~ -45°
Weight (Lamphead)	66.0 kg [145.5 lbs]
Weight (with barndoor)	72.0 kg [158.7 lbs]

■ PHOTOMETRIC DATA



■ DIMENSIONS (in)



■ ACCESSORIES

- Electronic Ballast V3 : 18kW/12kW
- Lamphead to Ballast Cable : 15m (49 ft.) or 20m(66 ft.)
- 4-leaf Rotatable Barndoor
- Set of 4 Scrims Ø737mm (29in)
- Full Single, Full Double, Half Single, Half Double
- Scrim Bag
- Safety Cable(for lamphead)
- Safety Wire(for barndoor)
- Spill Ring