

Daylight Faceted PAR F9k

FACETED



■ LAMPHEAD CONTENTS

- Lamp Housing without Bulb (purple grey & silver color)
- 4-leaf Rotatable Barndoor with Safety Wire
- Ø500mm (20in) UV Protective Lens
- Inlet Cable with Multi-Pin Connector
- Stirrup with Ø28mm(1-1/8 in.) Spigot

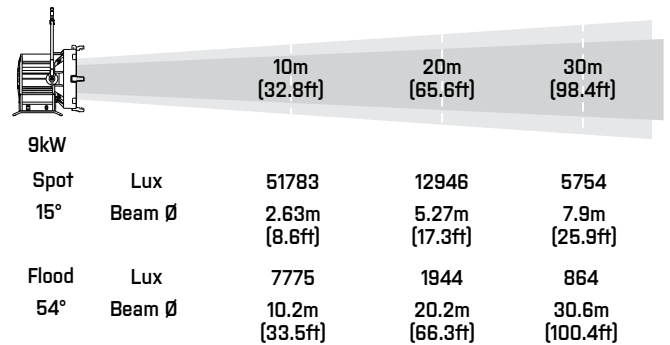
Requires Electronic Ballast, Lamphead to Ballast Cable and Lamp Bulb

Daylight Faceted PAR F9k

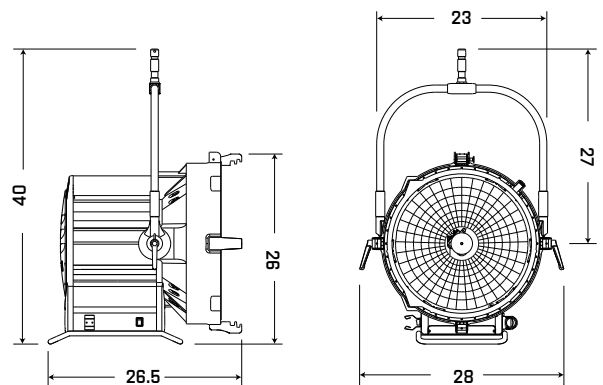
■ SPECIFICATIONS

Identity No.	L09000FP
Capacity	9,000W
Lamp Bulb Voltage	160V
UV Protective Lens	Ø500mm (20in)
Lamp Type	HMI 9000W/SE
Color Temp.	5600K
Lamp Holder	GX38
Stirrup	Ø28mm(1-1/8 in.) Spigot
Class / IP Rating	1 / IP 23
Max. Surface Temp.	220 °C [428°F]
Max. Ambient Temp.	45 °C [113°F]
Min. Distance to Illuminated Object	12 m [39ft]
Min. Distance to Flammable Object	2 m [6.5ft]
Operating Range	+45° ~ 0° ~ -45°
Weight (Lamphead)	35.0 kg [77lbs]
Weight (with barndoor)	40.0 kg [88lbs]

■ PHOTOMETRIC DATA



■ DIMENSIONS (in)



■ ACCESSORIES

Electronic Ballast V3 : 9kW/6kW

Lamphead to Ballast Cable : 10m (33 ft.) or 15m (49 ft.)

4-leaf Rotatable Barndoor

Set of 4 Scrims : Ø568mm (22-3/8 in.)

Full Single, Full Double, Half Single, Half Double

Scrim Bag

Safety Cable (for lamphead)

Safety Wire (for barndoor)

Spill Ring