



Tungsten Fresnel 24kW/20kW Studio

■ SPECIFICATIONS

Identity No.	L24020TF	
Capacity	24,000W / 20,000W	
Voltage	200 - 240V AC	
Fresnel Lens	Ø625mm(24-5/8 in.)	
Lamp Type	24kW/20kW SE	
Color Temp.	3200K	
Lamp Holder	G38	
Stirrup	Ø28mm(1-1/8 in.) Spigot	
Class / IP Rating	1 / IP 23	
Max. Surface Temp.	240 °C	(464 °F)
Max. Ambient Temp.	45 °C	(113 °F)
Min. Distance to Illuminated Object	12 m	(39.4 ft)
Min. Distance to Flammable Object	2.5 m	(8.2 ft)
Operating Range	+30° ~ 0° ~ -30°	
Weight (lamphead)	63.0 kg	(139 lbs)
Weight (with barndoor)	69.5 kg	(153.2 lbs)

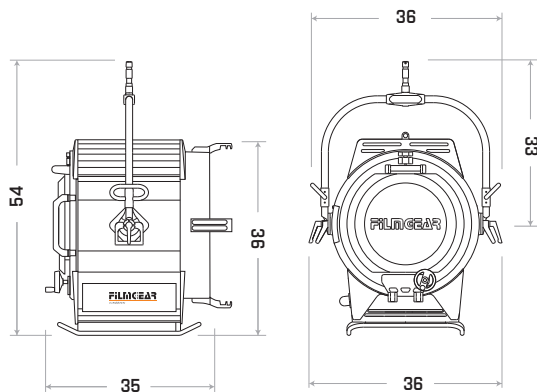
Tungsten Fresnel 24kW/20kW Studio

■ LAMPHEAD CONTENTS

- Lamp Housing without Bulb(purple grey & silver color)
- 4-leaf Rotatable Barndoor with Safety Wire
- Ø625mm(24-5/8 in.) Fresnel Lens
- Inlet Cable 2.5m (8.2 ft.)
- Stirrup with Ø28mm(1-1/8 in.) Spigot

No switch (Rotary or Panel switch on request)
Requires Lamp Bulb

■ DIMENSIONS (in)



■ ACCESSORIES

4-leaf Rotatable Barndoor

Set of 4 Scrimms Ø736mm(29 in.);

Full Single, Full Double, Half Single, Half Double

Scrim Bag

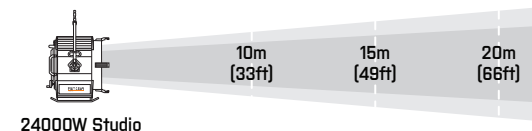
Safety Cable(for lamphead)

Safety Wire(for barndoor)

24kW Electronic Dimmer

Lamphead to Dimmer Cable :15m (49 ft.) or 20m(66 ft.)

■ PHOTOMETRIC DATA



24000W Studio

	10m (33ft)	15m (49ft)	20m (66ft)
Spot (13°)			
Lux	46763	20784	11691
Beam Ø	2.28m (7.5ft)	3.42m (11.2ft)	4.56m (15ft)
Flood (56°)			
Lux	8019	3564	2005
Beam Ø	10.63m (35ft)	15.95m (52.3ft)	21.27m (70ft)