



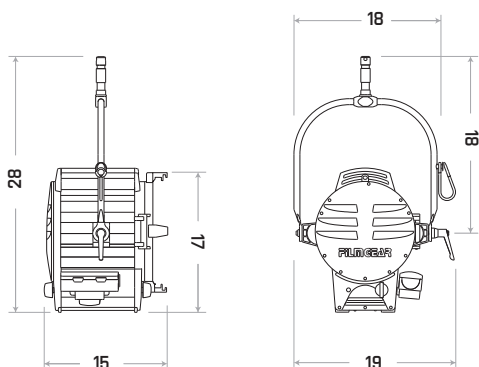
Tungsten Fresnel 5000W Junior

LAMPHEAD CONTENTS

- Lamp Housing without Bulb (purple grey & silver color)
- 4-leaf Rotatable Barndoor with Safety Wire
- Ø250mm (10 in.) Fresnel Lens
- Panel Switch
- Inlet Cable 4m (13 ft.)
- Stirrup with Ø28mm (1-1/8 in.) Spigot

Requires Lamp Bulb

DIMENSIONS (in)



Tungsten Fresnel 5000W Junior

SPECIFICATIONS

Identity No.	L05000TJ (220V)
	L05000TJ1 (110V)
Capacity	5,000W
Voltage	200 - 240V AC or 100 - 120V AC
Fresnel Lens	Ø250mm (9-7/8 in.)
Lamp Type	5000W SE
Color Temp.	3200K
Lamp Holder	G38
Stirrup	Ø28mm (1-1/8 in.) Spigot
Class / IP Rating	1 / IP 20
Max. Surface Temp.	220 °C [428 °F]
Max. Ambient Temp.	45 °C [113 °F]
Min. Distance to Illuminated Object	5 m [16.4 ft]
Min. Distance to Flammable Object	1.5 m [4.9 ft]
Operating Range	+38° ~ 0° ~ -38°
Weight (lamphead)	14.4 kg [31.7 lbs]
Weight (with barndoor)	16.1 kg [35.5 lbs]

ACCESSORIES

4-leaf Rotatable Barndoor

Filter Frame

Set of 4 Scrims Ø330mm (13 in.):

Full Single, Full Double, Half Single, Half Double

Scrim Bag

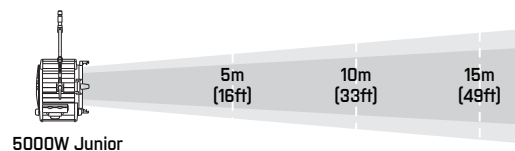
Variable Snoot

Spill Ring

Safety Cable (for lamphead)

Safety Wire (for barndoor)

PHOTOMETRIC DATA



5000W Junior

	5m (16ft)	10m (33ft)	15m (49ft)
Spot (10°)			
Lux	23230	5808	2581
Beam Ø	0.87m [2.9ft]	1.75m [5.7ft]	2.62m [8.6ft]
Flood (54°)			
Lux	3575	894	397
Beam Ø	5.10m [16.7ft]	10.19m [33.4ft]	15.29m [50.2ft]