



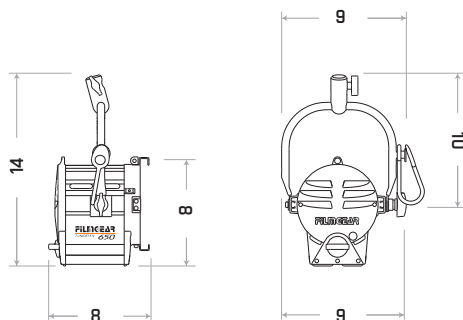
## Tungsten Fresnel 650W Junior

### LAMPHEAD CONTENTS

- Lamp Housing without Bulb (purple grey & silver color)
- 4-leaf Rotatable Barndoor with Safety Wire
- Ø112mm (4-3/8 in.) Fresnel Lens
- In-Line Switch
- Inlet Cable 4m (13 ft.)
- Stirrup with Ø16mm (5/8 in.) Socket

# Requires Lamp Bulb

### DIMENSIONS (in)



## Tungsten Fresnel 650W Junior

### SPECIFICATIONS

Identity No.	L00650TJ	
Capacity	650W	
Voltage	100 - 250V AC	
Fresnel Lens	Ø112mm (4-3/8 in.)	
Lamp Type	650W SE	
Color Temp.	3200K	
Lamp Holder	GY9.5	
Stirrup	Ø16mm (5/8 in.) Socket	
Class / IP Rating	1 / IP 23	
Max. Surface Temp.	190 °C	(374 °F)
Max. Ambient Temp.	45 °C	(113 °F)
Min. Distance to Illuminated Object	1 m	(3.3 ft)
Min. Distance to Flammable Object	0.5 m	(1.6 ft)
Operating Range	+45° ~ 0° ~ -45°	
Weight (lamphead)	3.0 kg	(6.6 lbs)
Weight (with barndoor)	3.5 kg	(7.7 lbs)

### ACCESSORIES

4-leaf Rotatable Barndoor

Filter Frame

Set of 4 Scrims Ø168mm (6-5/8 in.) :

Full Single, Full Double, Half Single, Half Double

Scrim Bag

Variable Snoot

Spill Ring

Safety Cable (for lamphead)

Safety Wire (for barndoor)

### PHOTOMETRIC DATA

	2m (7ft)	6m (20ft)	10m (33ft)
<b>650W Junior</b>			
Spot (11°)			
Lux	17498	1944	700
Beam Ø	0.39m (1.3ft)	1.16m (3.8ft)	1.93m (6.3ft)
Flood (54°)			
Lux	3232	359	129
Beam Ø	2.04m (6.7ft)	6.11m (20ft)	10.19m (33.4)