



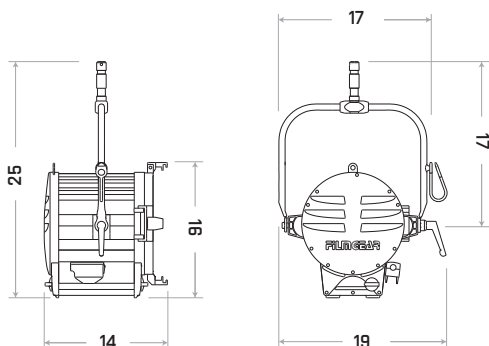
## Tungsten Fresnel 2000W Studio

### LAMPHEAD CONTENTS

- Lamp Housing without Bulb(purple grey & silver color)
- 4-leaf Rotatable Barndoor with Safety Wire
- Ø250mm(10 in.) Fresnel Lens
- Panel Switch
- Inlet Cable 4m (13 ft.)
- Stirrup with Ø28mm(1-1/8 in.) Spigot

# Requires Lamp Bulb

### DIMENSIONS (in)



## Tungsten Fresnel 2000W Studio

### SPECIFICATIONS

Identity No.	L02000TF	
Capacity	2,000W	
Voltage	100 - 250V AC	
Fresnel Lens	Ø250mm(9-7/8 in.)	
Lamp Type	2000W SE	
Color Temp.	3200K	
Lamp Holder	G38	
Stirrup	Ø28mm(1-1/8 in.) Spigot	
Class / IP Rating	1 / IP 23	
Max. Surface Temp.	190 °C	(374 °F)
Max. Ambient Temp.	45 °C	(113 °F)
Min. Distance to Illuminated Object	2 m	(6.6 ft)
Min. Distance to Flammable Object	1 m	(3.3 ft)
Operating Range	+45° ~ 0° ~ -45°	
Weight (lamphead)	12.2 kg	(26.9 lbs)
Weight (with barndoor)	13.9 kg	(30.6 lbs)

### ACCESSORIES

4-leaf Rotatable Barndoor

Filter Frame

Set of 4 Scrims Ø330mm(13 in.) :

Full Single, Full Double, Half Single, Half Double

Scrim Bag

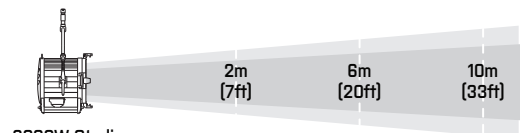
Variable Snoot

Spill Ring

Safety Cable(for lamphead)

Safety Wire (for barndoor)

### PHOTOMETRIC DATA



2000W Studio

	2m (7ft)	6m (20ft)	10m (33ft)
<b>Spot [9°]</b>			
Lux	95319	10591	3813
Beam Ø	0.31m (1ft)	0.94m (3.2ft)	1.57m (5.2ft)
<b>Flood [52°]</b>			
Lux	10933	1215	437
Beam Ø	1.95m (6.4ft)	5.85m (19.2ft)	9.75m (32ft)