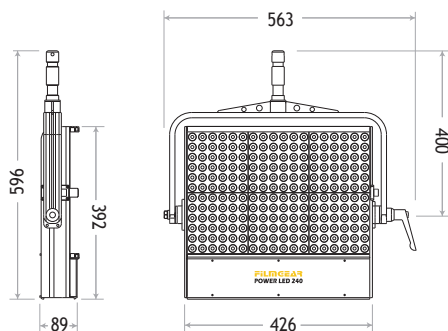


Power LED 240W

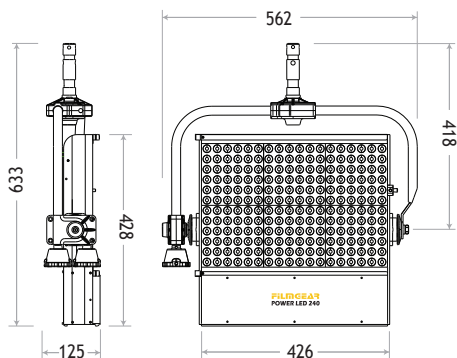


M.O.

DIMENSIONS (mm)



M.O.



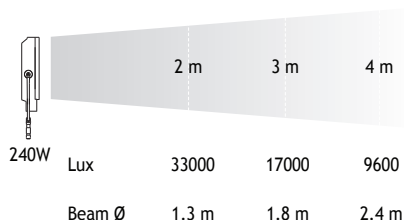
P.O.

* (M.O.) = Manual Operated
(P.O.) = Pole Operated

SPECIFICATIONS

Identity No.	L0024DPL (M.O. / Daylight) LP024DPL (P.O. / Daylight) L0024TPL (M.O. / Tungsten) LP024TPL (P.O. / Tungsten) L0024BPL (M.O. / Bi-Color) LP024BPL (P.O. / Bi-Color)
Capacity	240W
Input Voltage	95 - 265V AC 22 - 36V DC
Frequency	50Hz / 60Hz
Input Current	2.6 - 1.0A @95 - 265V AC 8A @30V DC
Color Temp.	5600K / 3200K / 2700K-6000K
CRI	>90
Dimming Range	0 - 100%
Control Signal	DMX 512
DMX Channel	1
LED Life	Approx. 30,000 Hrs
M.O. / P.O. Stirrup	Ø28mm (1-1/8 in.) Spigot
Class / IP Rating	1 / IP 20
Max. Surface Temp.	70 °C
Max. Ambient Temp.	45 °C
Operation Range	+90° ~ 0° ~ -90°
Weight (Lamphead)	12.0 kg (M.O.) 13.4 kg (P.O.)

PHOTOMETRIC DATA



LAMPHEAD CONTENTS

Lamp Housing with Power Cable (black color)
Filter Frame
Stirrup with Ø28mm (1-1/8 in.) Spigot
DMX
AC & DC Input

ACCESSORIES

2-leaf Barndoor
Filter Frame
Eggcrate
Soft Box
DC Cable
Safety Cable (for lamphead)