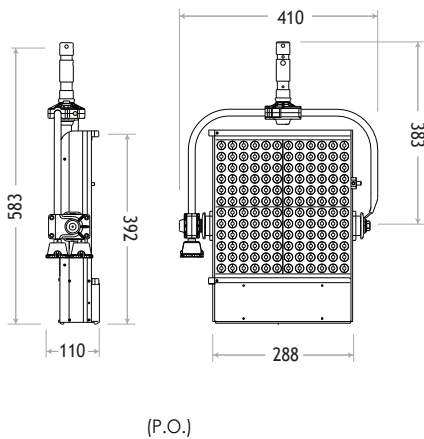
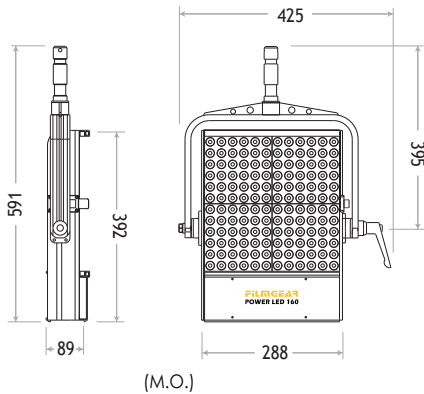


## Power LED 160W



### DIMENSIONS (mm)

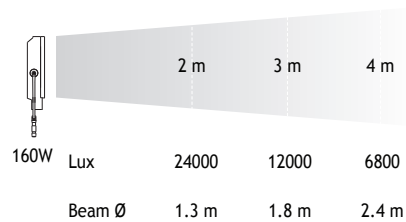


\* (M.O.) = Manual Operated  
(P.O.) = Pole Operated

### SPECIFICATIONS

Identity No.	L0016DPL (M.O. / Daylight) LP016DPL (P.O. / Daylight) L0016TPL (M.O. / Tungsten) LP016TPL (P.O. / Tungsten)
Capacity	160W
Input Voltage	95 - 265V AC 22 - 36V DC
Frequency	50Hz / 60Hz
Input Current	1.7 - 0.6A @95 - 265V AC 5.5A @30V DC
Color Temp.	5600K / 3200K
CRI	>90
Dimming Range	0 - 100%
Control Signal	DMX 512
DMX Channel	1
LED Life	Approx. 30,000 Hrs
M.O. / P.O. Stirrup	Ø28mm (1-1/8 in.) Spigot
Class / IP Rating	1 / IP 20
Max. Surface Temp.	70° C
Max. Ambient Temp.	45° C
Operation Range	+90° ~ 0° ~ -90°
Weight (Lamphead)	7.5 kg (M.O.) 8.9 kg (P.O.)

### PHOTOMETRIC DATA



### LAMPHEAD CONTENTS

- Lamp Housing with Power Cable (black color)
- Filter Frame
- Stirrup with Ø28mm (1-1/8 in.) Spigot
- DMX
- AC & DC Input

### ACCESSORIES

- 2-leaf Barndoor
- Filter Frame
- Eggcrate
- Soft Box
- DC Cable
- Safety Cable (for lamphead)